

M12 female 0° K-coded field-wireable

5-pol. max. 2,5mm²

Female straight

M12

5-pole

K-coded

Screw terminals

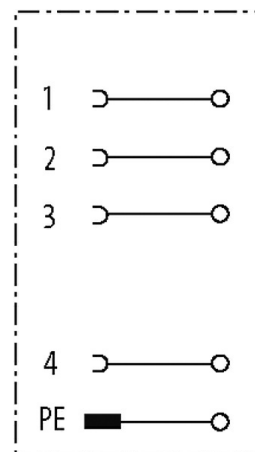
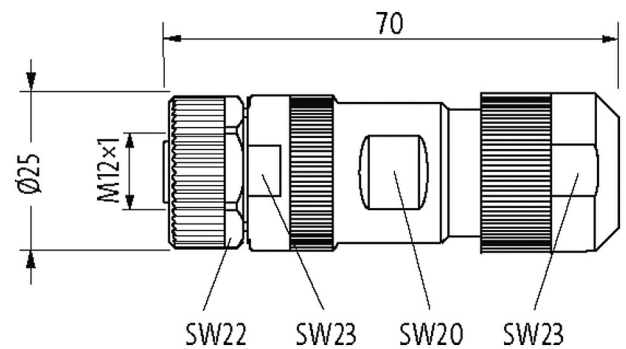
Sealing range (cable Ø)

8...13 mm

The resistance to aggressive media should be individually tested for your application. Further details on request.

[Link to Product](#)

Illustration



Product may differ from Image

General data

Temperature range	-40...+85 °C
Pollution Degree	3
Mating cycles	≥ 100
Material (contact)	Copper alloy
Material (contact surface)	Au
Material (contact carrier)	PA

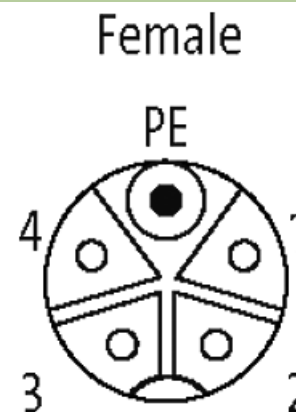
Technical Data

Rated surge voltage	6.0 kV
Operating current per contact	max. 12 A
Coding	K-coded
Sealing range (cable Ø)	8...13 mm
Locking of ports	Screw thread (M12x1 mm)

Protection	IP67 inserted and tightened (EN 60529)
Material	PA
Over voltage category	2
Material group	IEC 60664-1, category II
Contact resistance	$\leq 5 \text{ m}\Omega$
Connection	Screw terminal
Connection cross section	max. 2.5 mm ²

Commercial data

country of origin	DE
customs tariff number	85366990
EAN	4048879784832
eClass	27279221
Packaging unit	1

Sketch

Product may differ from Image